

PFAFF 1183 INDUSTRIAL SEWING MACHINE

Made for rapid operation

Straight stitch only

Not suitable for elastic fabric

Can sew through thick materials



SAFETY

Keep fingers away from the needle while sewing.

Remove your foot from the presser foot while threading, or changing the needle.

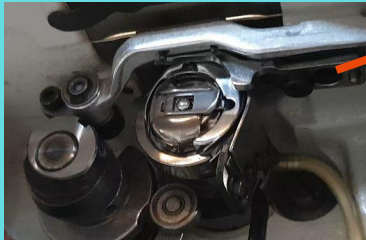
MACHINE PARTS

Bobbin threader

Top thread tension regulator

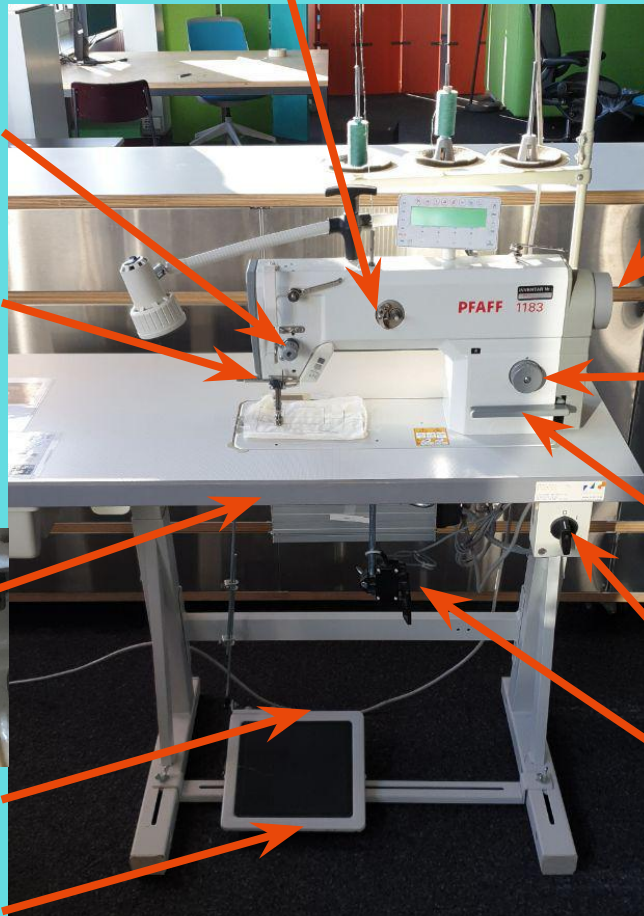
Long-term presser foot lever (back side)

Bobbin access (Below the table)



Sewing pedal

Thread cutter



Manual needle control

Stitch length regulator

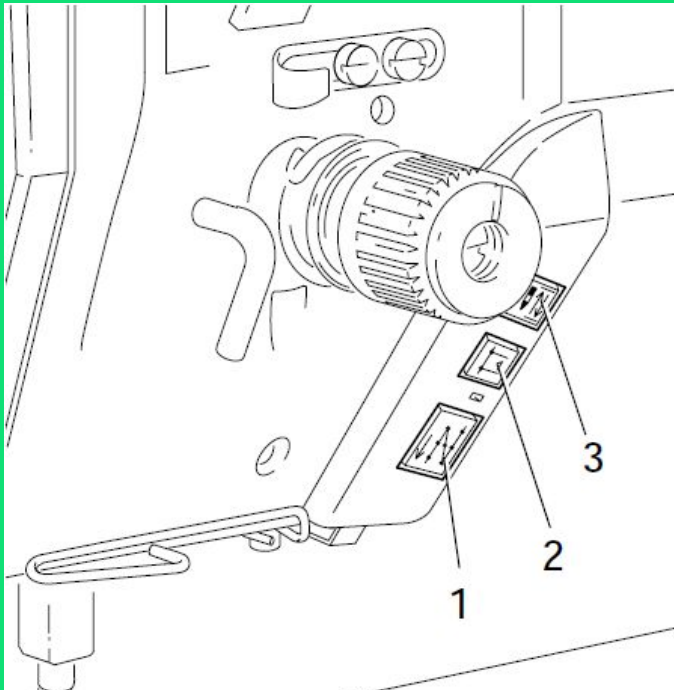
Reverse sewing (1st possibility)

Main Switch

Temporary presser foot lever

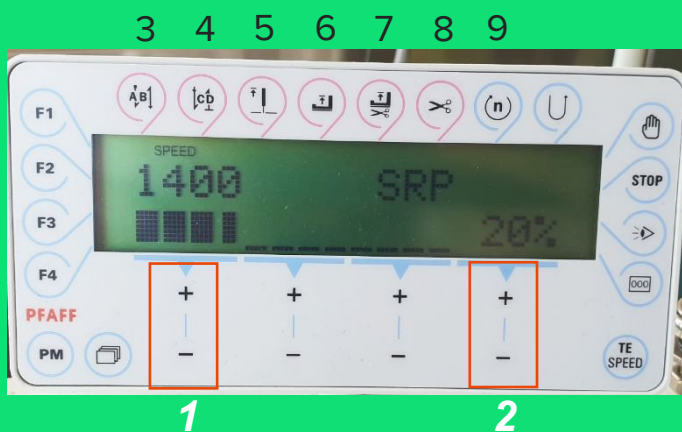
MACHINE PARTS

Quick access buttons



1. Reverse sewing (2nd possibility)
2. Turn the automatic backstitch on or off
3. Lift or lower the needle

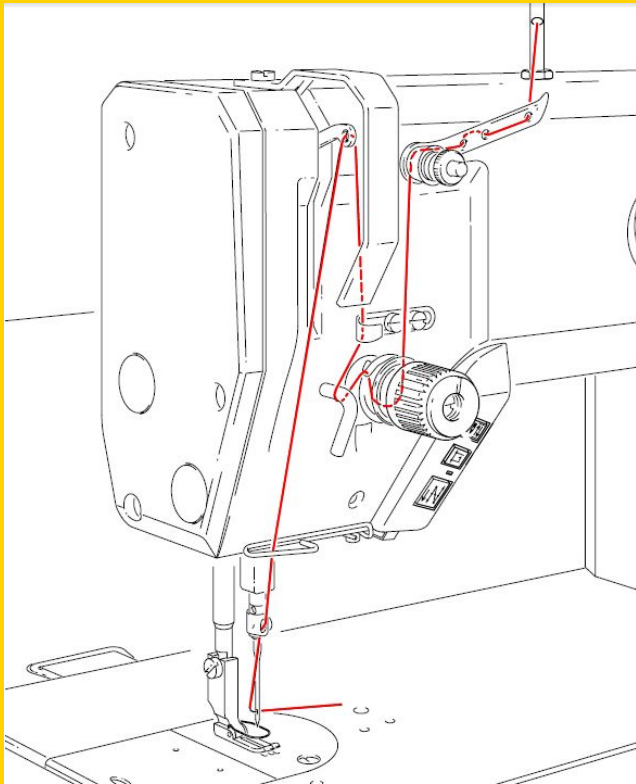
Speed responsive presser foot control (SRP)



1. Stitching speed
2. Increase of foot pressure with stitching speed (keep 20%)
3. Backstitch at start
4. Backstitch at end
5. Needle position
6. Foot position at stop
7. Foot position after cutting
8. Thread cutter
9. Slow start

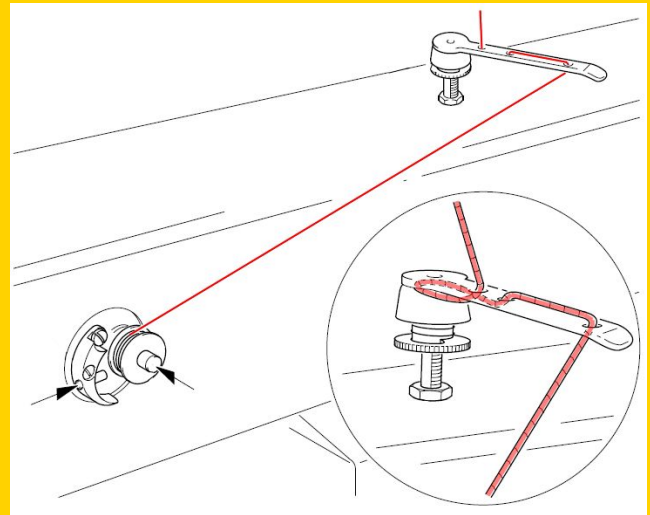
CHANGING THE THREAD

Top Thread

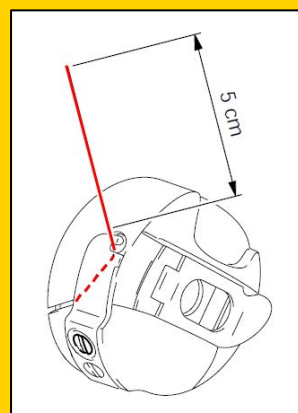


- Cut the thread at the old spool
- Make a knot with the new spool
- Pull the new thread through the path as shown above

Bottom Thread



- Place the bobbin as shown
- Turn the thread a few times around the bobbin to secure it
- Press on the sewing pedal to wind up the bobbin



Make sure the bobbin turns clockwise in the bobbin case when pulling on the thread

FINE TUNING

Change stitch length



- Press the button in, then turn to set the stitch length
- Longer stitches are for basting (temporarily attaching pieces together)

Stitch length regulator

Choose the right needle

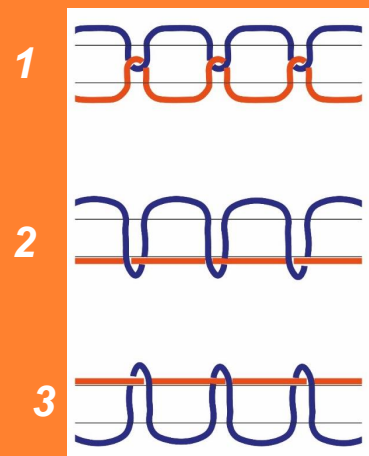
Size	Fabric weight	Example
70	Thin	Voile, fine synthetics and cottons
90	Normal	Velvets, most cottons, linen
110	Thick	Leather, denim

- Make sure to have your foot away from the sewing pedal while changing the needle
- Place the flat side of the shank towards the screw

Have the right thread tension

Only the tension of the top thread is adapted

1. Normal tension
2. Top thread too loose
3. Top thread too tight



WHILE SEWING

While sewing

- Sew right sides together
- So the seam is hidden in the inside of the workpiece
- Use seam allowance (= distance between seam and edge of fabric) of about 0.5-1 cm (use the edge of presser foot as a guide)
- Secure your stitch at the beginning and end
- Make a few stitches backwards on top of the previous stitch
- Never pull or push the fabric
- The fabric will move on its own, just gently steer it to the right direction
- For sharp corners: lift the pressure foot and turn the work piece

When finished

- Scrap piece of fabric underneath presser foot
- Presser foot down
- Needle stuck in